

# OWNER'S MANUAL



newaire

## HW250/500

**INSTALLATION, MAINTENANCE  
&  
WARRANTY INFORMATION**

# INSTALLATION

## INSTALLATION \*\*\*KIT\*\*\*

HW250/500 UNIT  
\*w/Pre-Installed  
Negative Ion  
O3 Generator

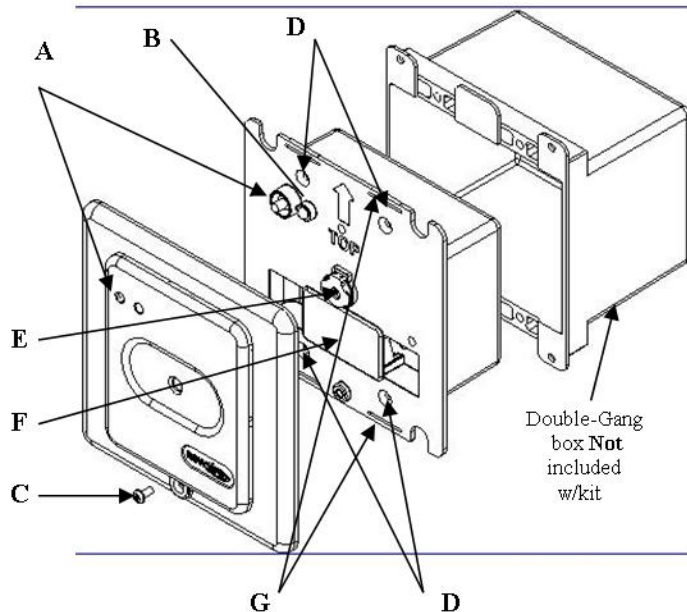
(2) Blue Wire Nuts

(4) 1" x 8-32 Mount-  
ing Screws

(1) 1/4" x 4-40  
Security Screw

Operating Manual

Warranty  
Registration Card



A. On/Off Switch B. Green LED Light C. Security Screw D. Mounting Screw  
E. Negative Ion Cartridge F. Ozone Cartridge G. Cover Retaining Clips

## \*\*\*INSTALLATION INSTRUCTIONS\*\*\*

- 1.) The HW250/500 is designed to be installed in a standard Double-Gang Outlet Box, either Wall or Ceiling mounted.
- 2.) HW250/500 should be switched and installed with **No Less** than a **15 amp** circuit breaker. Wiring configuration is standard— **Black Wire** to **Black Wire** and **White Wire** to **White Wire** using the supplied blue wire nuts. Ground wire should be fastened to the Double-Gang box.
- 3.) Wires should then be folded behind the HW250/500 with caution.
- 4.) At this point, slide the HW250/500 into the Double-Gang box and secured with 1" machine screw (provided). **DO NOT OVERTIGHTEN!!!**
- 5.) The faceplate is secured by snapping into Cover Retaining Clips (G)
- 6.) At this point, the operating action of the on/off switch should be checked. If necessary, adjust the faceplate to assure the on/off switch is operating properly.
- 7.) The operating action of the slightly recessed push button switch requires the use of a tool such as a ball point pen or similar blunt instrument. This safety feature prevents accidental shut-offs of the unit. Once this is accomplished, the 1/4" security screw may be installed securing the face plate.

# \*\* MAINTENANCE \*\*

## REGULAR SCHEDULED MAINTENANCE IS REQUIRED...

to keep HW250/500 running with **Optimal Performance!!!**

\*\*\*\*\*

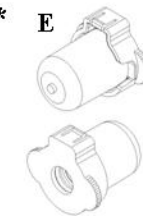
Maintenance should be performed **No Later** than **6 Months** after initial installation. Maintenance consist of changing...

**(E) Negative Ion Cartridge (F) Ozone Cartridge**

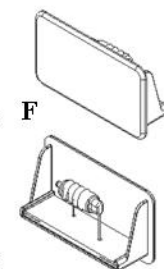
To access the cartridges, it is necessary to remove Security Screw -{C} w/ Philips screwdriver. Use a flathead screwdriver, and insert the head in the bottom 1/2" slot below Security screw and twist to remove front cover. Now that you have accessed the cartridges area, using your thumb and index finger, carefully remove **(E) Negative Ion Cartridge**. Follow this same procedure and remove **(F) Ozone Cartridge**. Now inspect the inside/outside of HW250/500 for dust, particulates and clean with the Alcohol Wipes provided. Now replace cartridges **(E), (F)** using caution.

The cover may now be snapped back into place, and action of the on/off switched should be checked. Replace the

security screw, and turn the power back on. Now you have successfully performed your scheduled maintenance. Properly discard of the old cartridges, and call today for replacement cartridges.



Part #ICWC



Part #RC250/500

**ORDER TODAY! Toll Free: 1-877-646-9663**

**\*Caution should be taken when performing service to avoid electrical shock, turn power breaker off when performing your scheduled maintenance.**

SPECIFICATIONS 4.625" L x 4.5" W x 2" D 120v 60 Hz 3 watts 8.8 oz  
& FEATURES 16,000,000 negative ions per cubic centimeter per minute

\*\*\*\*\*

\*\*ALL NEWAIRE PRODUCTS MANUFACTURED AND MADE IN USA\*\*

newaire

500 Cedar Street PO Box 1506  
OGDENSBURG, NY 13669  
www.ozoneexperts.com  
Ph: 1-877-646-9663



**NEWAIRE HW250/500 Models  
output negative ions regulated  
amounts of ozone to eliminate  
odors and improve the air qual-  
ity in rooms up to 500 sq. ft.**

**PERFECT FOR:**

- **NEW CONSTRUCTION**
- **HOTEL ROOMS**
- **NURSING ROOMS**
- **HOSPITALS**
- **KITCHENS HALLWAYS**
- **PROFESSIONAL OFFICES**
- **DEN/SMOKING ROOMS**
- **PET ROOMS**

**\*\*\*IMPORTANT\*\*\*  
PLEASE READ THIS BEFORE  
USING THIS PRODUCT!!!**

**NEVER** operate this unit if it has been damaged in any way or is not working properly.

**NEVER** operate this unit with the air openings blocked in any way. Keep the openings free of lint, dust and particulates.

**NEVER** use these units **OUTDOORS**

**NEVER**, under any circumstances, place any object into the unit via air holes, as they may touch dangerous voltage points. Doing so could result in serious shock or create a fire hazard.

**NEVER OPERATE THIS UNIT** with the openings blocked in any way. Allow a minimum of 18 inches of clearance in front of the unit at all times.

**KEEP OUT OF REACH FROM CHILDREN!!!**

**WARNING!!!** US Health standards advise that it may be injurious to your health to be exposed to ozone in concentrations above .05 ppm. Normal use of this product produces levels well below this standard, however installation of this product in rooms smaller than 100 sq. ft. with no air exchange have the potential of meeting or exceeding this level. For questions about proper use call us at 1-877-646-9663.

## **WARRANTY INFORMATION**

**The HW250/500 comes with a Limited 2 year warranty as follows:**

1. Complete and return the enclosed Warranty Card with 60 Days of purchase. Failure to do so will render all warrant conditions void.
2. These units are warranted against defects in material or workmanship for a period of two years from the date of proof of purchase. Any problems arising from misuse, attempt to repair, damage due to dropping, shipping or exposure to any liquid immediately render this warranty null and void.
3. If you feel you have a warranty situation, contact NewAire customer service at (877) 646-9663.
4. Newaire, Inc. reserves the right to repair or replace any units which are covered under this warranty.
5. This warranty is in lieu of any and all other warranties, either expressed or implied. This included, but not limited to, implied warranties of marketability of fitness for a particular purpose or function. In no event will NewAire be liable for any amount in excess of the original purchase price of the NewAire HW250/500. No agent, dealer distributor or service company is authorized to change, modify or extend terms of this warranty in any manner whatsoever.
6. **This warranty gives specific legal rights. You may also have other rights which vary from state to state. This warranty is valid for units sold in the United States of America and Canada only.**
7. Newaire HW250/500 is a patent pending product of Newaire, Inc.